

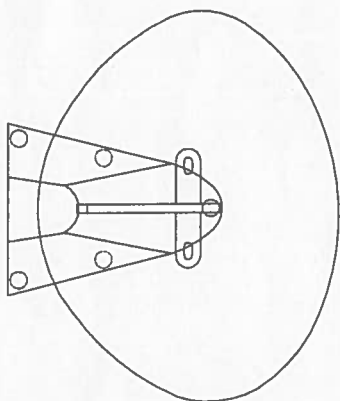
# REVELATION

by UTTERMOST

## ASSEMBLY INSTRUCTIONS

### Assembly Instruction

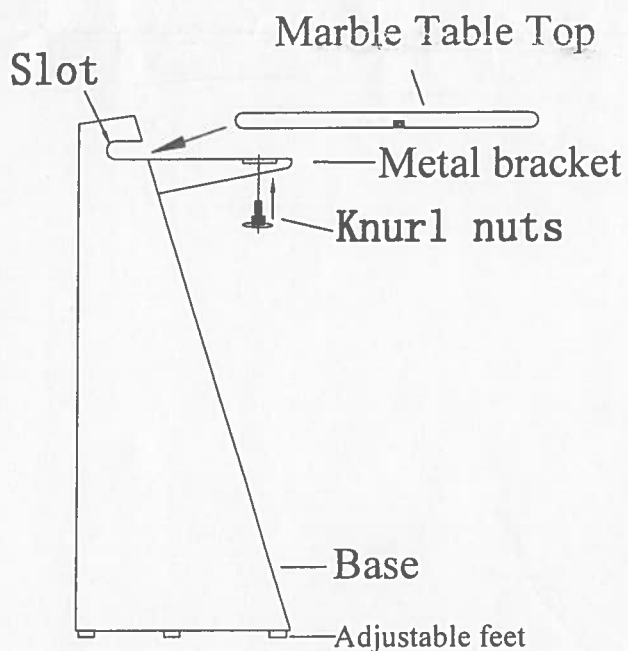
STYLE NO.: R50039



1. Take the parts carefully out of the carton, place them on a flat surface, make sure that the parts will not be damaged.

2. Place the desktop on the metal bracket of the base and snap it into the slot.

3. Align the holes at the bottom of the table top with those on the metal bracket; then screw the table top with knurl nuts tight.



To clean, wipe with soft dry cloth.

NOTE: THE DRAWING OF THE TABLE IS FOR REFERENCE ONLY.